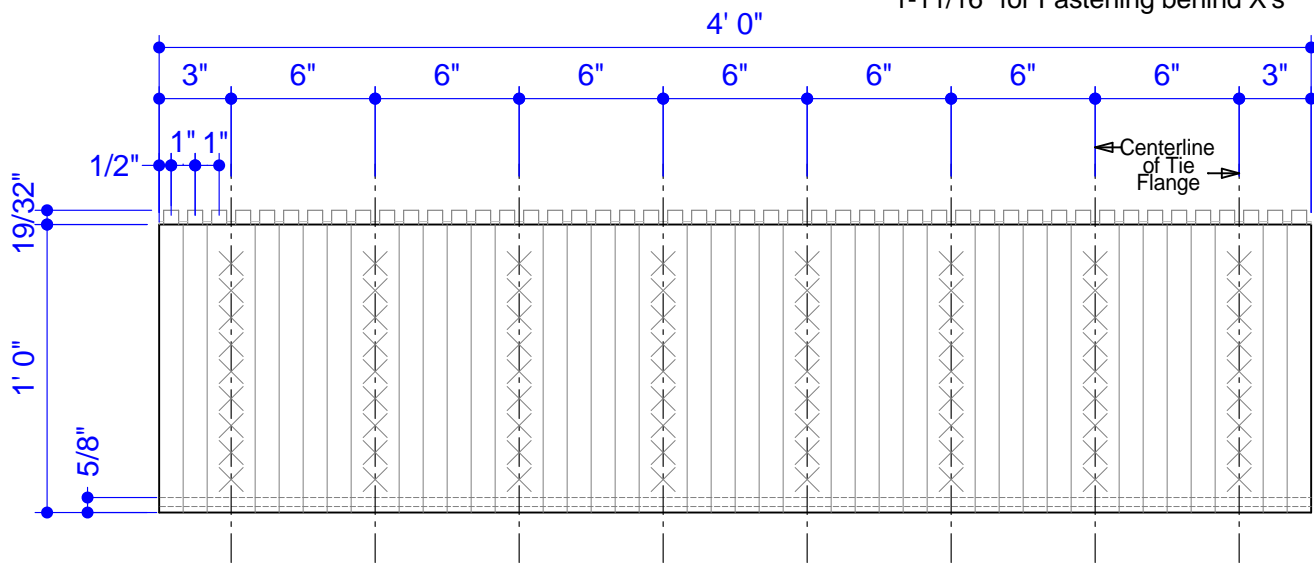
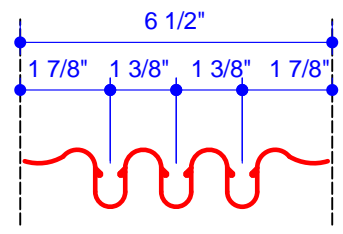


6" Top Block - Top View

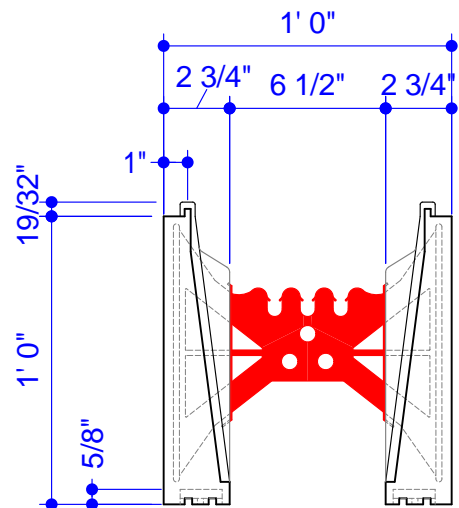
Note : Tie flange Width of 1-11/16" for Fastening behind X's



6" Top Block - Front View



6" Typical Tie Detail



Superform Products Ltd.  
PO Box 2696  
Pincher Creek, Alberta T0K 1W0  
Canada  
Phone : (403) 627-3555 Fax: (403) 627-3553  
www.superformicf.ca

6" TOP BLOCK  
Copyright © Superform Products Ltd. 2010

Drawn By	Laura Trent
Date	June 2010
Scale	
Page No.	1 of 1