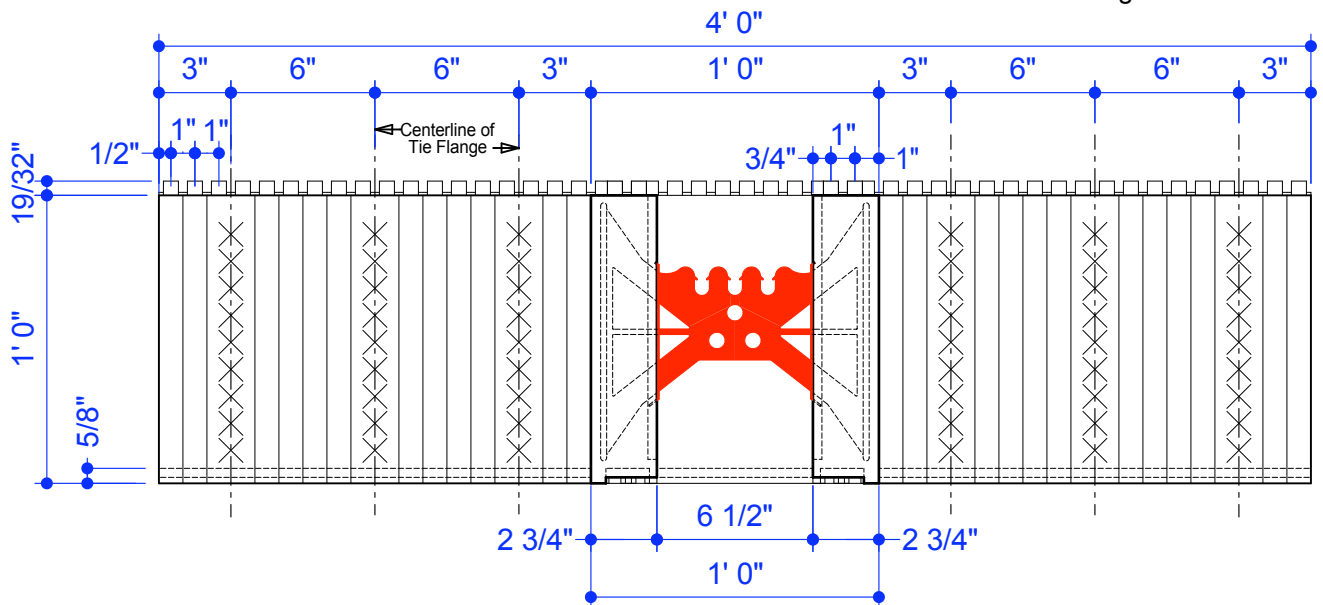
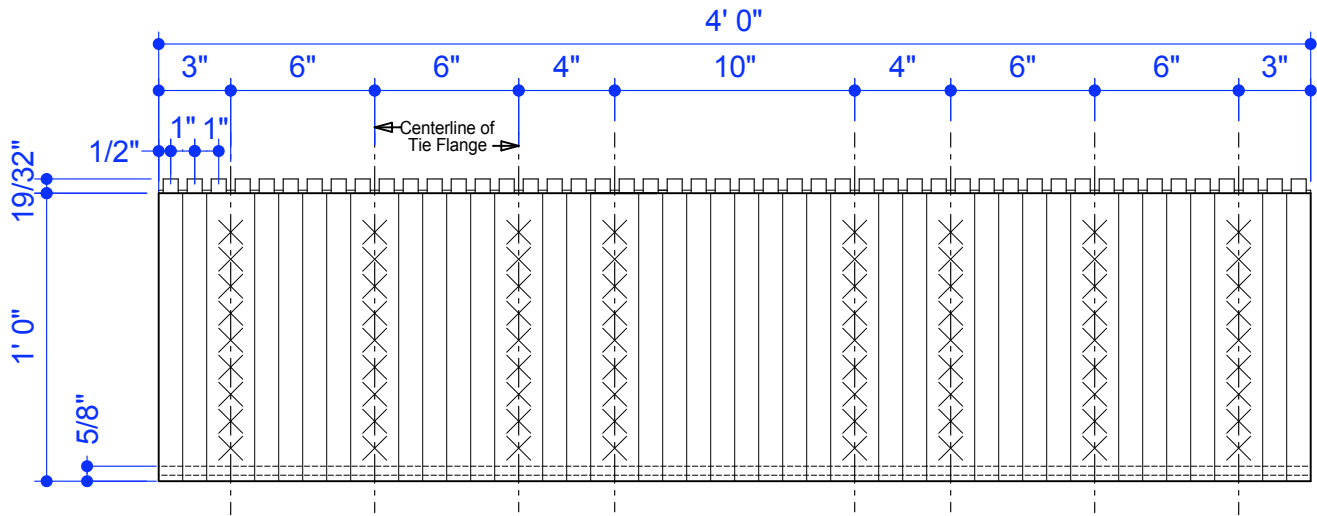


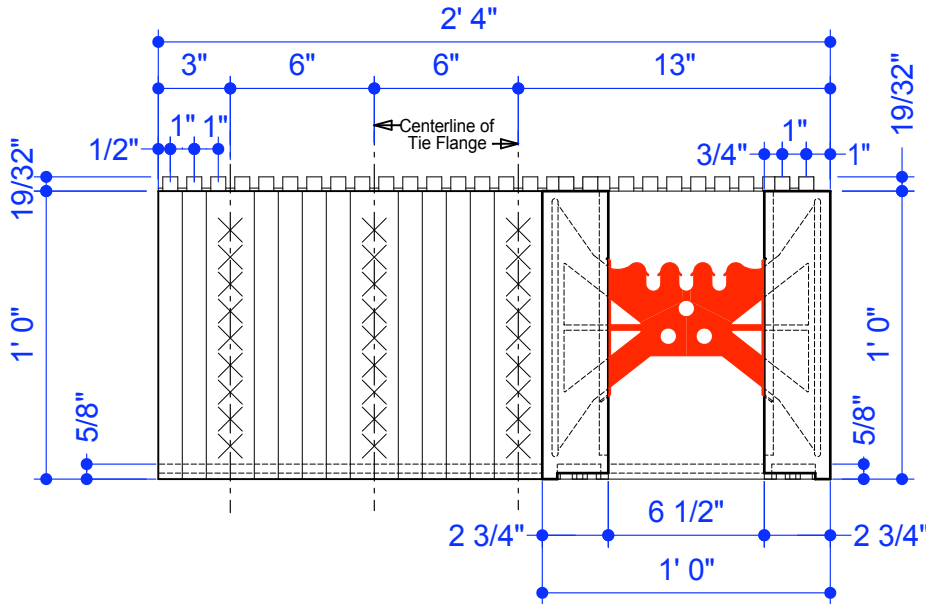
Note : Tie flange Width of 1-11/16" for Fastening behind X's



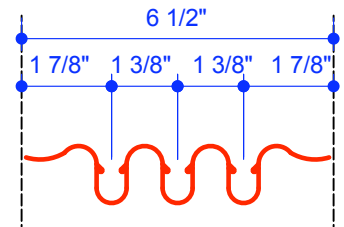


**6" T - Block  
Straight Side Elevation**

Note : Tie flange Width of 1-11/16" for Fastening behind X's



**6" T - Block  
Inner Corner Side Elevation  
& End View**



**A  
1** Typical Block  
Tie Detail



Superform Products Ltd.  
PO Box 2696  
Pincher Creek, Alberta T0K 1W0  
Canada  
Phone : (403) 627-3555 Fax: (403) 627-3553  
www.superformicf.ca

6" T - BLOCK  
Copyright © Superform Products Ltd. 2010

Drawn By	Laura Trent
Date	April 2010
Scale	
Page No.	2 of 2