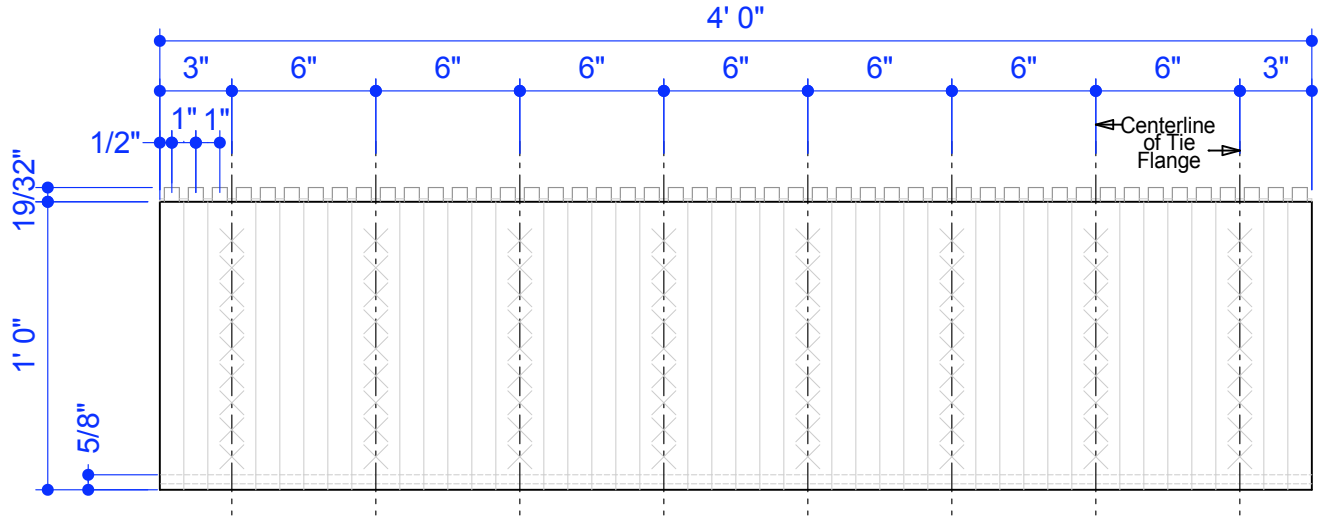


6" Ledge Block - Top View

Note : Tie flange Width of 1-11/16" for Fastening behind X's



6" Ledge Block - Front View



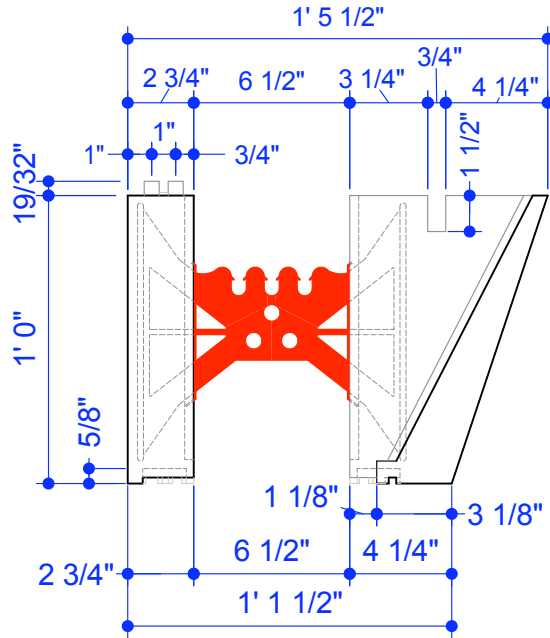
Superform Products Ltd.  
 PO Box 2696  
 Pincher Creek, Alberta T0K 1W0  
 Canada

Phone : (403) 627-3555 Fax: (403) 627-3553  
 www.superformicf.ca

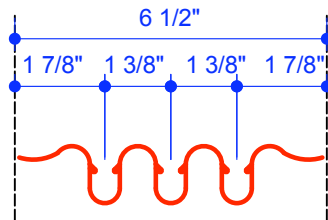
6" LEDGE BLOCK

Copyright © Superform Products Ltd. 2010

Drawn By	Laura Trent
Date	June 2010
Scale	
Page No.	1 of 2



A 6" Ledge Block  
1 Typical Section



6" Typical Tie Detail