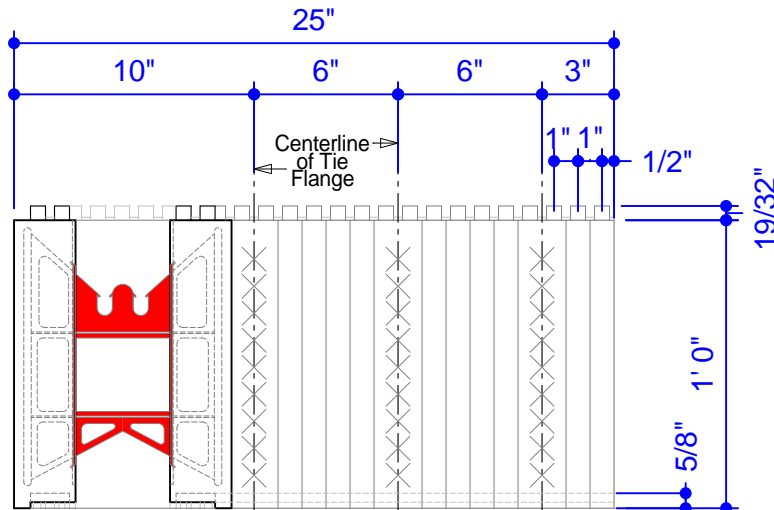
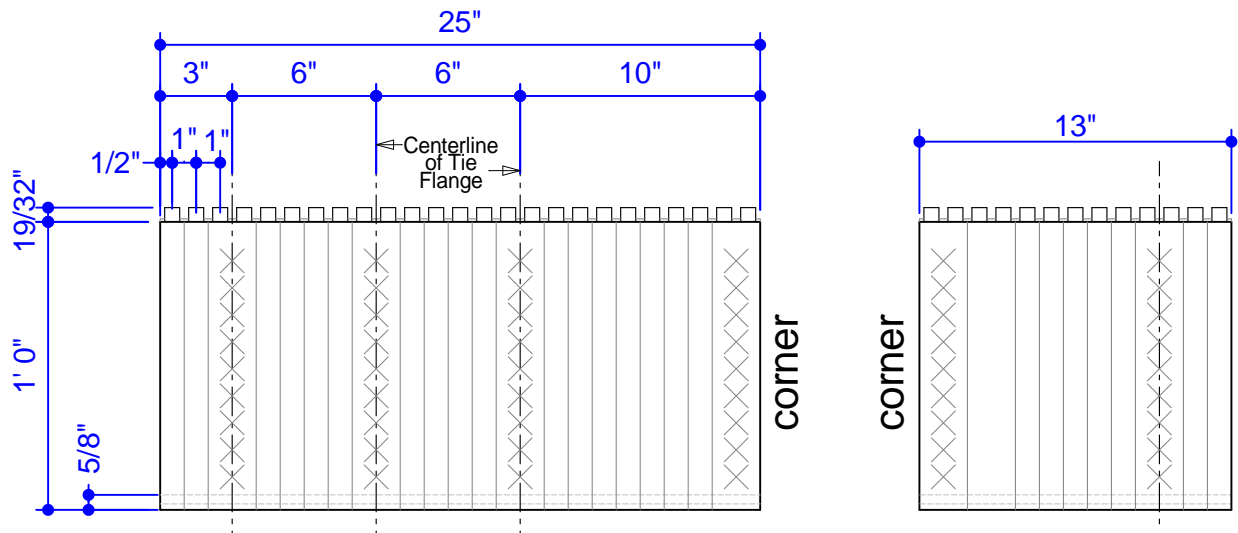


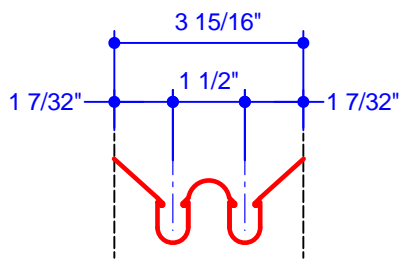
4" Block 90° Corner - Top View



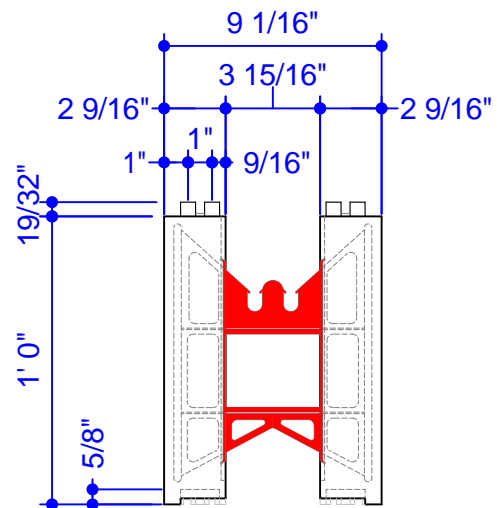
4" Block 90° Corner
Inner Corner Side & End Views



4" Block 90° Corner
Outer Corner Side Views



4" Typical Tie Detail
Scale 2:1



4" Corner Block
Typical Section